

SDU Development Information

Development Name:
Greendale Stage 6

Developer Company:
Roberts Bros Pty Ltd

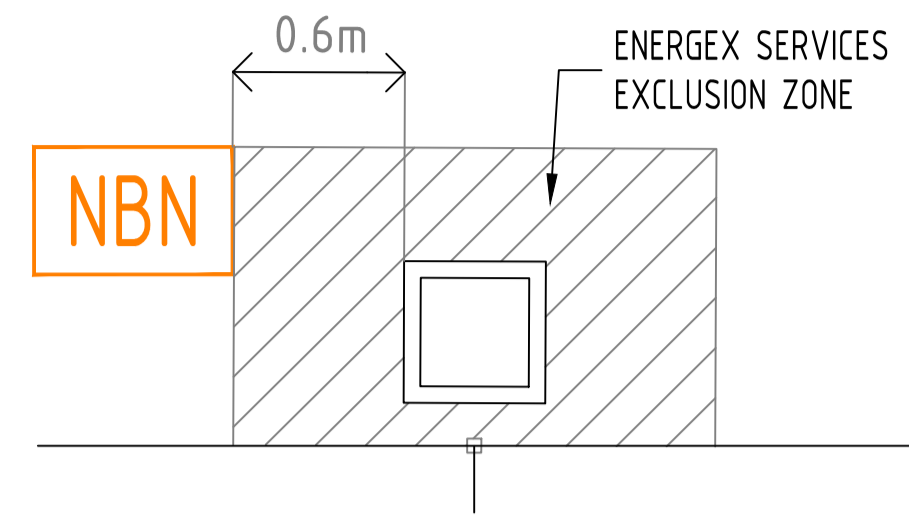
Development Address:
Watergum Drive, Pie Creek

Authorised Rep:
Peter Eustace & Associates
Phone: 07 5596 1425
E-Mail: davidv@pece.com.au

nbn Reference Number: N/A	Stage Number: 6
	Design Revision: A

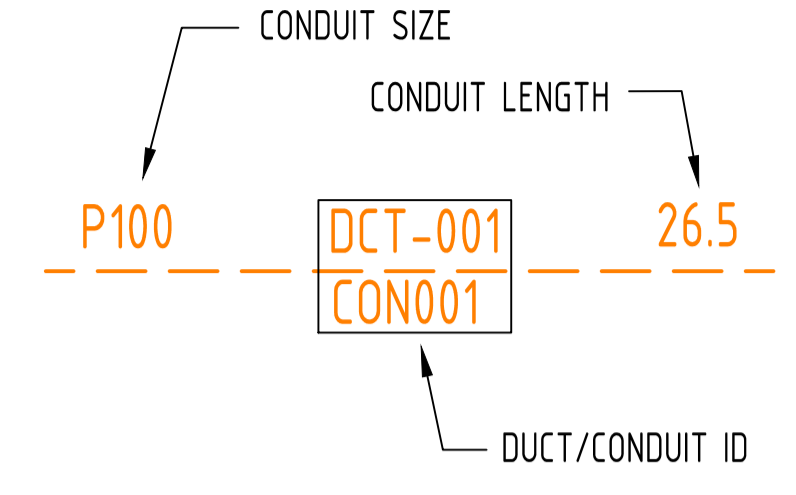
BILL OF MATERIAL				
NO OF LOTS: 14				
PITS		DUCTS		
SIZE	QTY	SIZE	QTY	MTRS
2	0	P100	6	293.8
5	11	P50	8	336.5
6	0	P20	13	129.1
8	1			
9	0			
TOTAL NUMBER OF PITS:		12		
TOTAL NUMBER OF MANHOLES:		0		
TOTAL NUMBER OF CONDUITS:		27		
TOTAL LENGTH OF CONDUITS:		759.4		

STANDARD NBN PIT OFFSET TO ENERGEX PILLAR

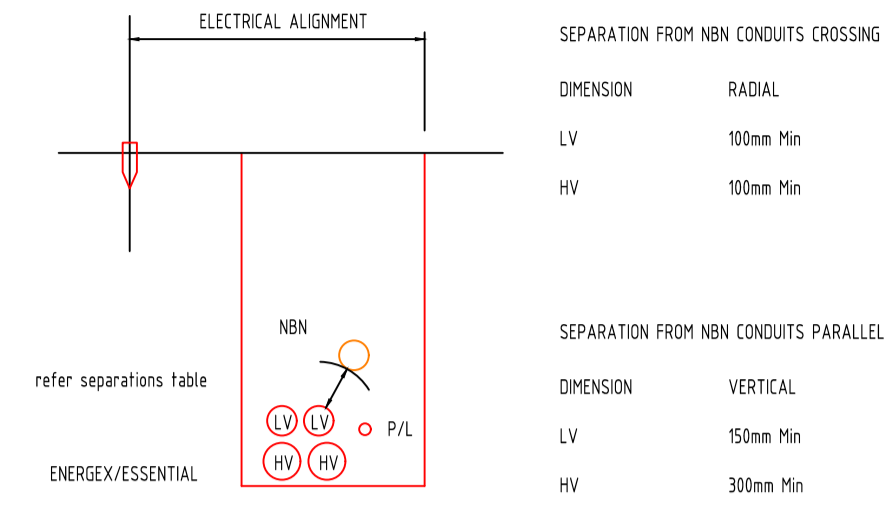


WHERE PITS ARE NOT LOCATED BESIDE PILLARS, OFFSETS WILL BE SHOWN ON THE LAYOUT TO THE NEAREST TRUNCATION. IF NO OFFSET DISTANCE IS SHOWN, PLEASE CONTACT DESIGN CONSULTANT PRIOR TO INSTALLATION.

CONDUIT CONFIGURATION

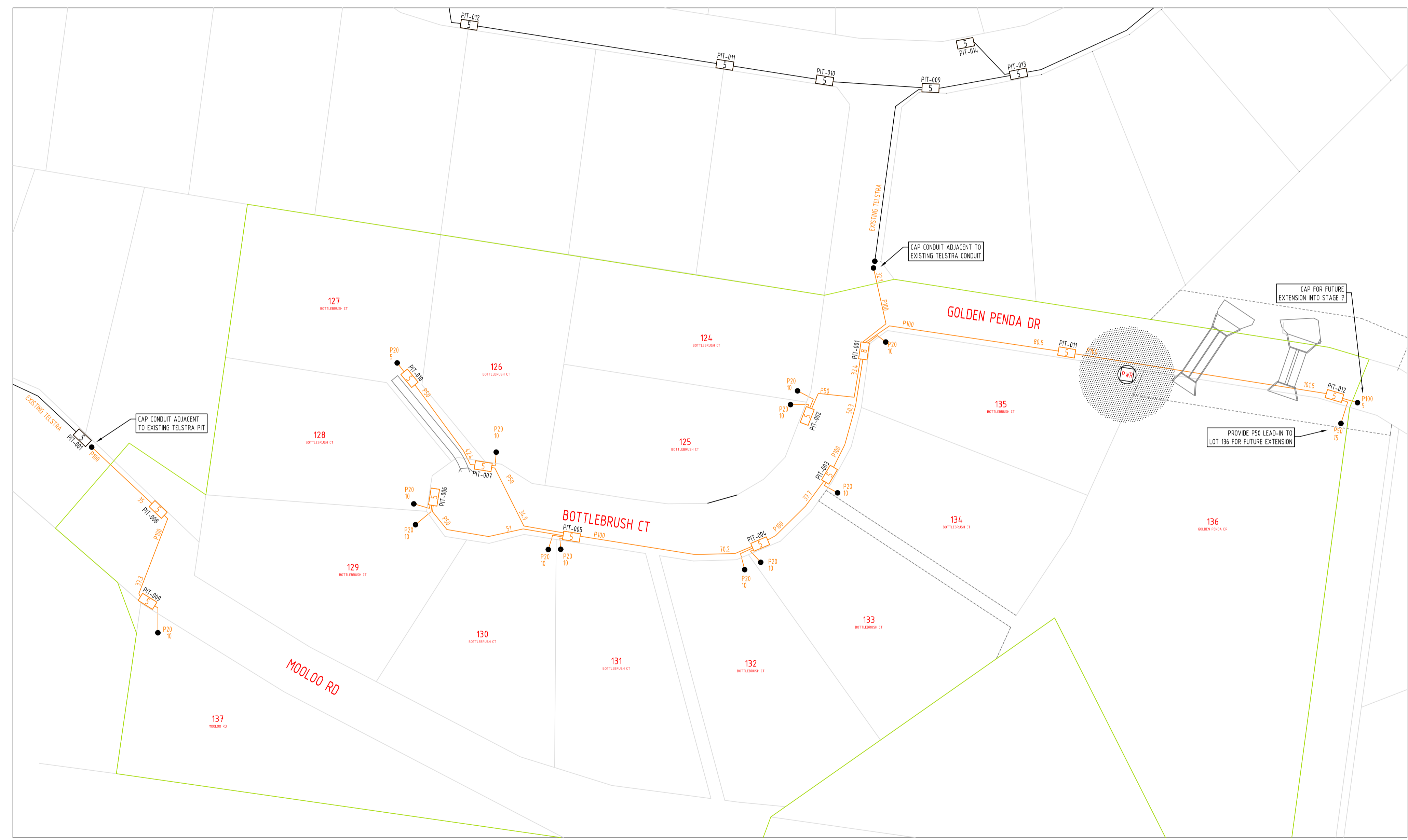


TRENCH SECTION



NBN SYMBOL LEGEND

- Transformer / Kiosk / Pad Mount
Sub-station / Pole Mount Transformer
- PIT-ID 5 Network Boundary/Local Network Pit (Single Lid) (700mmX450mmX650mm)
- PIT-ID 8 Distribution/Local Network Connection Pit (1360mmX555mmX860mm)
- PIT-ID 9 Fibre Distribution Hub (FDH) Pit (2000mmX555mmX900mm)
- Shared Trench Symbol
- Energex Pillar



REV	DATE	DRAFTER	DESCRIPTION	APPROVED
A	14.02.22	DVG	ISSUE FOR NBN APPROVAL	DVG

STRICTLY CONFIDENTIAL

NBNCO APPROVAL RECORD:

SIGNATURE	DATE
<input type="checkbox"/> DD	_____
<input type="checkbox"/> WD	_____
<input type="checkbox"/> AB	_____

QUALITY RECORD :

NBNCO DISCLAIMER
THIS DOCUMENT HAS BEEN PREPARED SOLELY FOR THE USE OF NBNCO LIMITED (ABN 86 136 533 741) FOR USE IN MAINTAINING NBNCO FACILITIES. IT HAS NOT BEEN CREATED FOR ANY OTHER USE. IT SHOULD NOT BE SCALED TO LOCATE NBNCO ASSETS. NO WARRANTY IS GIVEN THAT THE INFORMATION IS ACCURATE OR COMPLETE.

PE CONSULTING ENGINEERS
STREET ADDRESS: U14, 39 Lawrence Dr, Naring QLD 4211
POSTAL ADDRESS: PO Box 2853, Naring Qld 4211
TELEPHONE: (07) 5590 1425
EMAIL: nbn@pece.com.au
WEB: www.pece.com.au

KEY PLAN

DRAWING TITLE:
PIT & PIPE LAYOUT
GREENDALE STAGE 6
PIE CREEK

ENABLE#:
STATE: QLD REGION: GYMPIE
FSA: SAM: ADA:
PROJECT No:
CADREF No: 21-0507
SCALE: 1:1000@A1 SHEET No. 1 OF 1 REV. A